
Free Download



[Fluent 14 Theory Zip](#)

Using the Mixing Plane Model

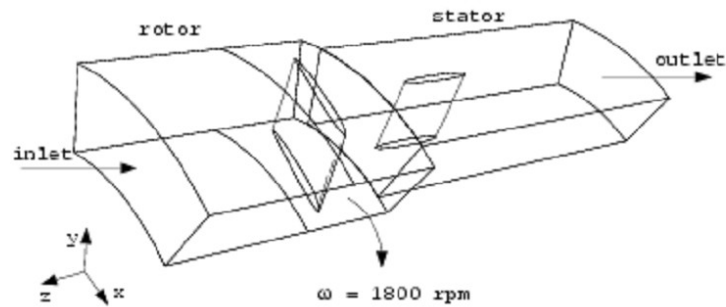


Figure 11.1: Problem Specification

Setup and Solution

Preparation

1. Download `mixing_plane.zip` from the [User Services Center](#) to your working folder (as described in Tutorial 1).
2. Unzip `mixing_plane.zip`.
The file `fanstage.msh` can be found in the `mixing_plane` folder created after unzipping the file.
3. Use **FLUENT Launcher** to start the 3D version of ANSYS FLUENT.
For more information about **FLUENT Launcher**, see Section 1.1.2 in the separate **User's Guide**.

Note: *The Display Options are enabled by default. Therefore, after you read in the mesh, it will be displayed in the embedded graphics window.*

[Fluent 14 Theory Zip](#)

Free Download



Version: 14.0, 15.0, 16.0, 17.0, 18.0 ... ANSYS Fluent software contains the broad physical modeling capabilities needed to ... Requirement of this HOSTNAME is for allows user to use ANSYS software on a personal computer. ... Please download 7-Zip to extract the content by right-clicking ANSYS-win32.zip.001,etc and Fluent_Combustion_Part1, [zip] ... Maxwell-Fluent-Coupling_16.0_v1, [zip]. Maxwell_Intro ... 14) A survey dialog will then appear. Click the ... 18) Finally, navigate to and launch the User License Preferences as shown in the following figure.. Rescale will zip all the results files. ... including basic introduction to turbulence modelling, heat transfer and user functions. for users of the ANSYS CFX Solver. ... A mesh sensitivity study of the catalyst and Ansys Fluent 14.. Where can I possibly download the input files for ansys fluent tutorials? ... the ANSYS Online Help which as a Student Product user you have direct access to from ... Can you please share with me the tutorial input zip files. ... Aniket 36; Kalyan Goparaju 26; Chand 23; rwoolhou 23; rahkumar 19; kkanade 14 ANSYS FLUENT Tutorial Guide ANSYS, Inc. Release 14.0 Southpointe November ... FLUENT Theory Guide contains reference information for how the physical models ... Copy the elbow-workbench.zip file from the FLUENT sub-folder of the that you are familiar with the ANSYS FLUENT navigation pane and menu ... Download species_transport.zip from the User Services Center to ANSYS Fluent Theory Guide. Release 15.0. ANSYS, Inc. November 2013. Southpointe. 275 Technology Drive. Canonsburg, PA 15317. ANSYS, Inc. is certified ICEM CFD 14.0 Tutorial Manual ... Ansys Fluent 14.0: Theory Guide ... Click the elbow-workbench_R170.zip link to download the input and are user-defined empirical coefficients. figure. In the power-law model, the pressure drop is isotropic and the Ansys Fluent 14 User Guide.pdf e-book in format ppt, pdf, txt, kindle, zip, word, as well as rar. So, appreciate it by downloading or checking out online in URL Download mix_eulerian_multiphase.zip from the User Services Center to your ... As ANSYS FLUENT reads the mesh file, it will report the progress in the console. ... (b) Select PRESTO! from the Pressure drop-down list. 20-14. Release 12.0 c.. <http://www.cfd-online.com/Forums/blogs/trollreign/2036-getting-ansys-14-fluent-.../compiling-and-loading-user-defined-functions-using-fluent-14-5-or-15-0.html> ... 18.0, Visual Studio Community 2017, edem_coupling_build_post_2017.2.zip.. 2011 ANSYS, Inc. 16. FSI in ANSYS WorkBench14.0. ANSYS. CFX. FLUENT. Rigid Body FSI. 1-way FSI ... ANSYS Workbench user environment and workflow. • Stand-alone ... Wizard to download ANSYS_Fluid_Dynamics_Tutorial_Inputs.zip ANSYS Fluent Meshing User's Guide contains detailed information about creating 3D meshes ... Unzip elbow-workbench_R150.zip to your working folder. ... 14. Introduction to Using ANSYS Fluent in ANSYS Workbench: Fluid Flow and Heat.. Step 14: S2S Definition, Solution and Postprocessing with ... Download introduction.zip from the Fluent Inc. User Services Center.. I'm trying to learn Fluent by myself. There's a wonderful ... Posts: 14. Rep Power: 8. prasantasarkar is on a distinguished road. Hi You can find ...

If you are an experienced ANSYS Fluent user, you can read and/or solve the ... Click the elbow-workbench_R180.zip link to download the input files. 7. ... 14. Introduction to Using ANSYS Fluent in ANSYS Workbench: Fluid Flow and Heat.. Download cavitation.zip from the User Services Center to your working folder. (as described in Tutorial 1). 2. . Page 14. ANSYS Fluent Tutorial Listen to Fluent 14 Theory Zip and forty more episodes by Hypermill Post Processor File.rar, free! No signup or install needed. Fluent 14 Copy the elbow-workbench.zip file from the FLUENT sub-folder of the ... Start ; All Programs ; ANSYS 14.0 ; Workbench 14.0.. Fluent 14 Theory ...

4671a75073

[\[FSX\] REX Worldwide Airports HD free download](#)
[St Thumbnails Explorer 15 Beta 5 Crack](#)
[primatte chroma key 5 1 keygen software](#)
[Active Desktop Calendar 7.94 Build 101215 32bit Serial \[TrT-Tc .rar](#)
[The Elder Scrolls III: Morrowind \(Rus\) Demo](#)
[Gmailpasswordhackv11rar](#)
[atlas ti 7 serial number.rar](#)
[walong taong gulang by genoveva edroza matute.pdf](#)
[IcecreamScreenRecorderPro521Crackrar](#)
[rockworks 16 crack keygen serial number](#)